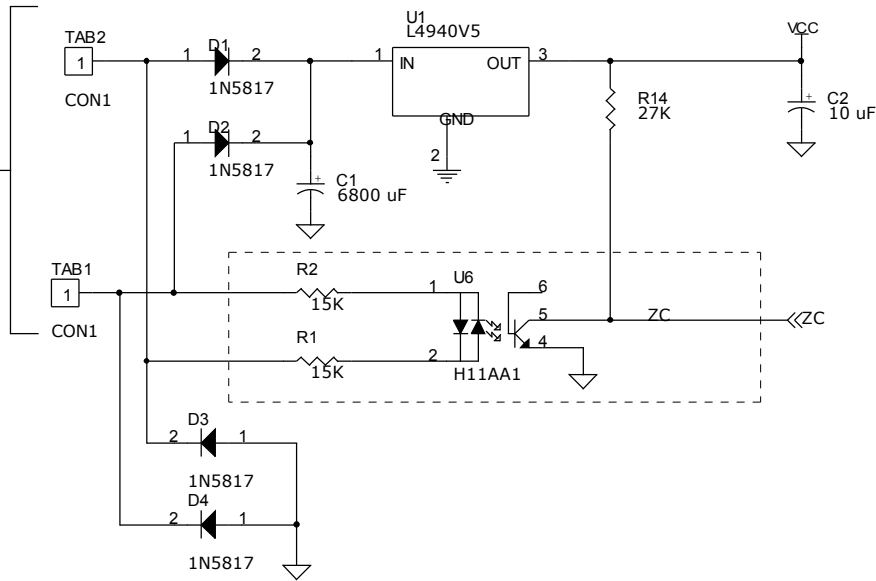
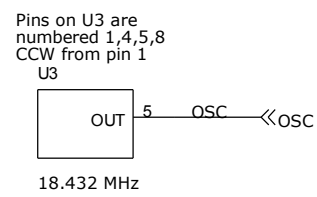


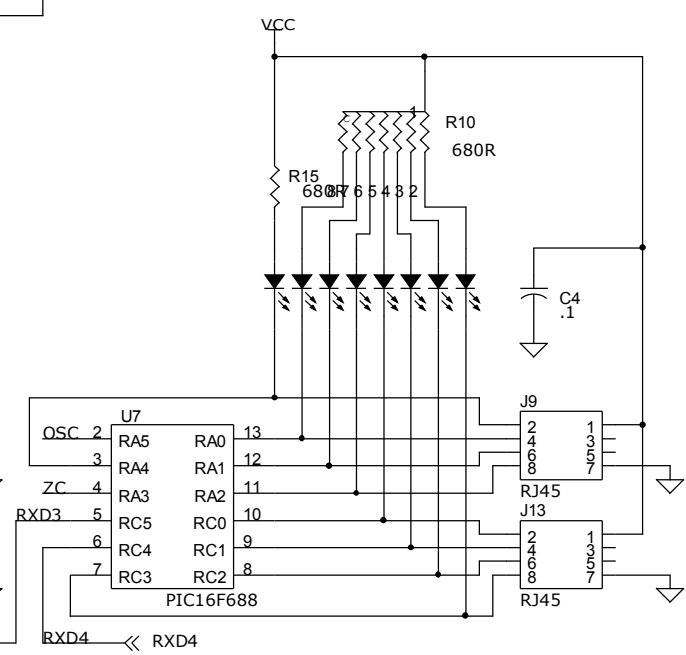
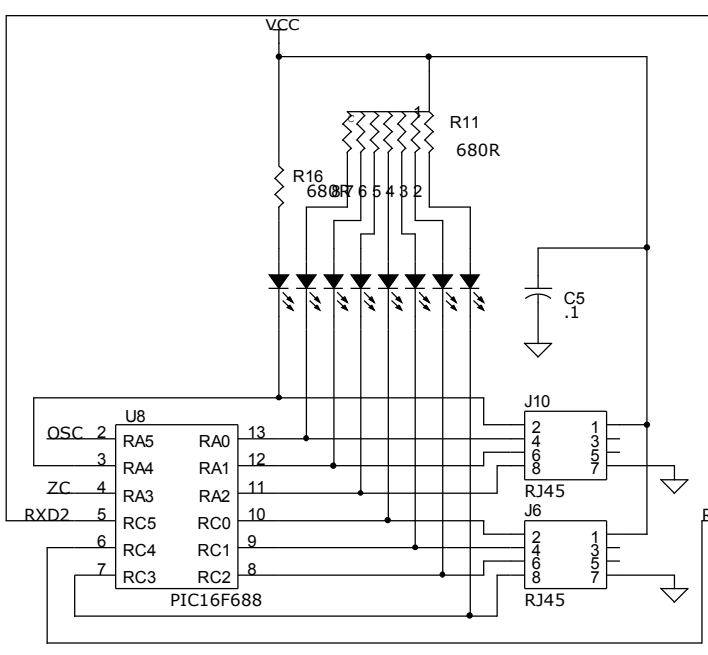
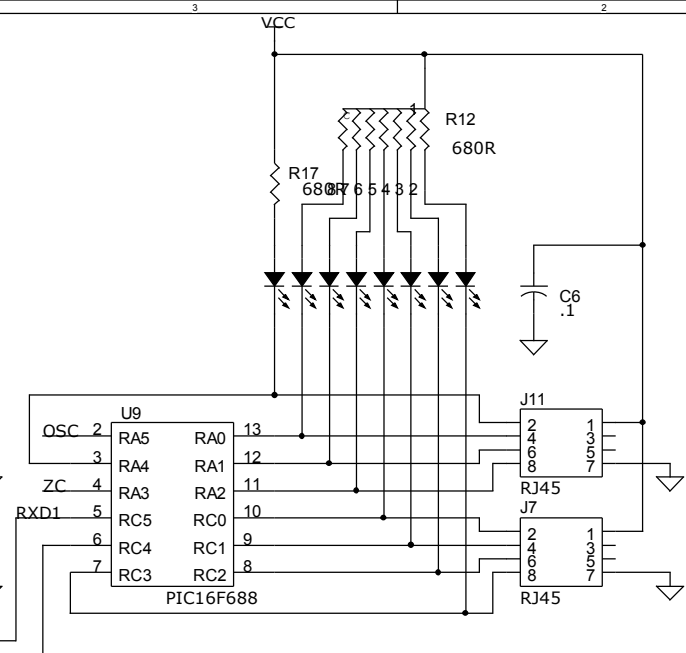
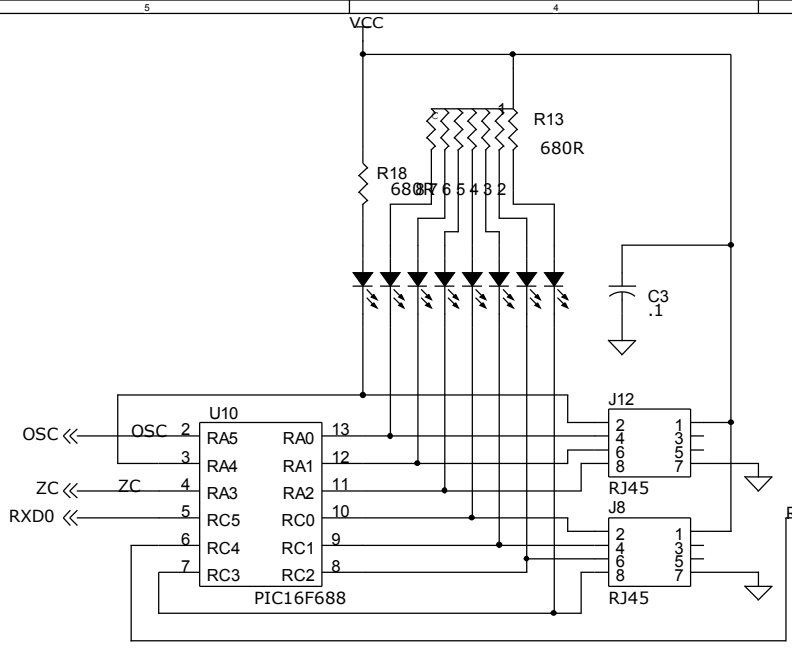
To 6.3VAC Transformer



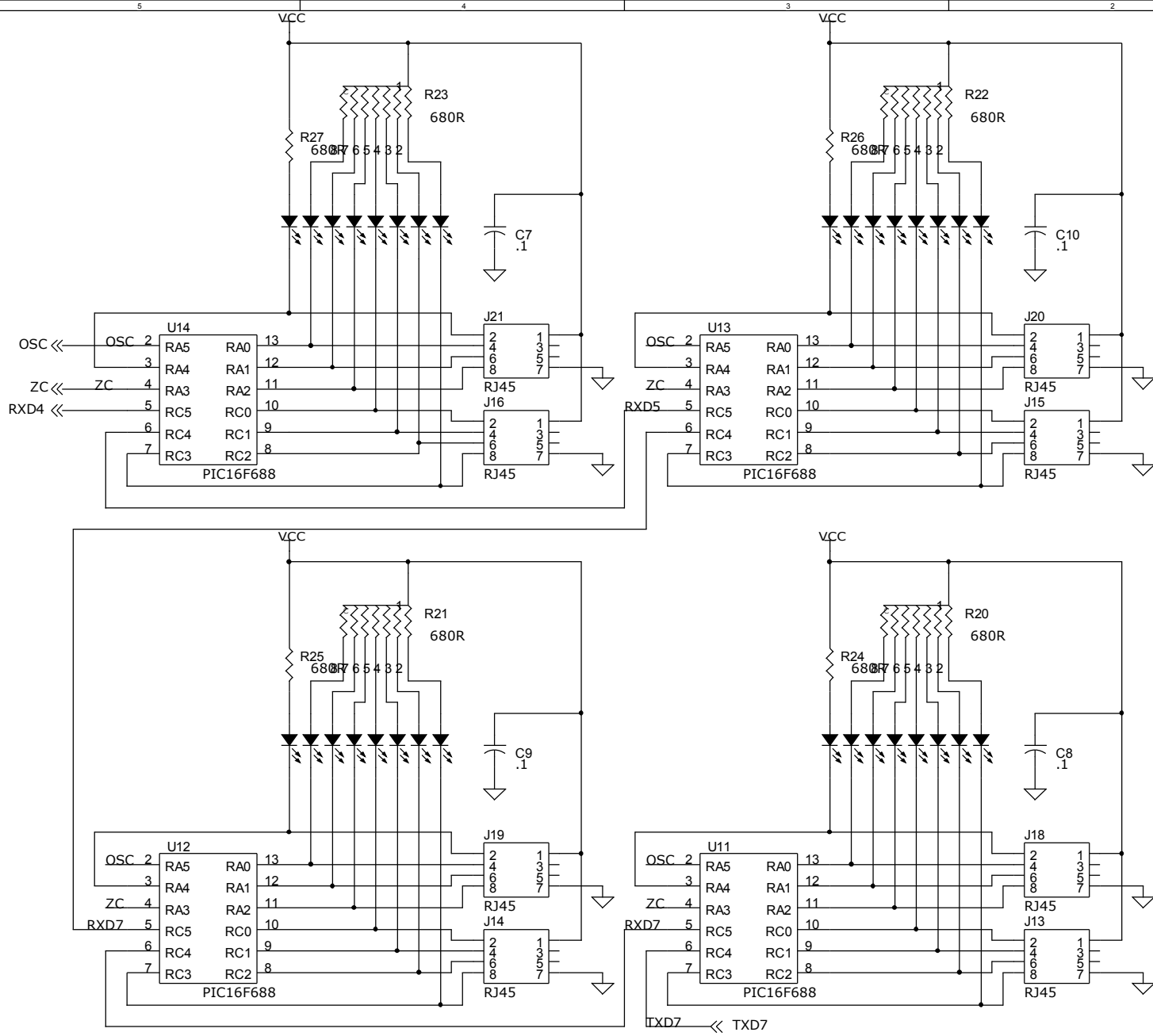
Notes:
 If you wish to supply +5V from an external power supply (such as a spare PC power supply), omit U1, D1-D4, C1 and install a connector in place of U1 to supply power.
 A heatsink may be required on U1.
 Refer to BOM for exact part numbers of components to purchase.



Title		
Renard (64 Channel Coop)		
Size	Document Number	Rev
B	NA	XC
Date Wednesday, January 09, 2008 Sheet 1 of 3		



Title		
Renard64		
Size	Document Number	Rev
B	NA	XC
Date		Sheet
Wednesday, January 09, 2008		2 of 3



Title		Renard64
Size	Document Number	Rev
B	NA	XC
Date	Wednesday, January 09, 2008	Sheet 3 of 3