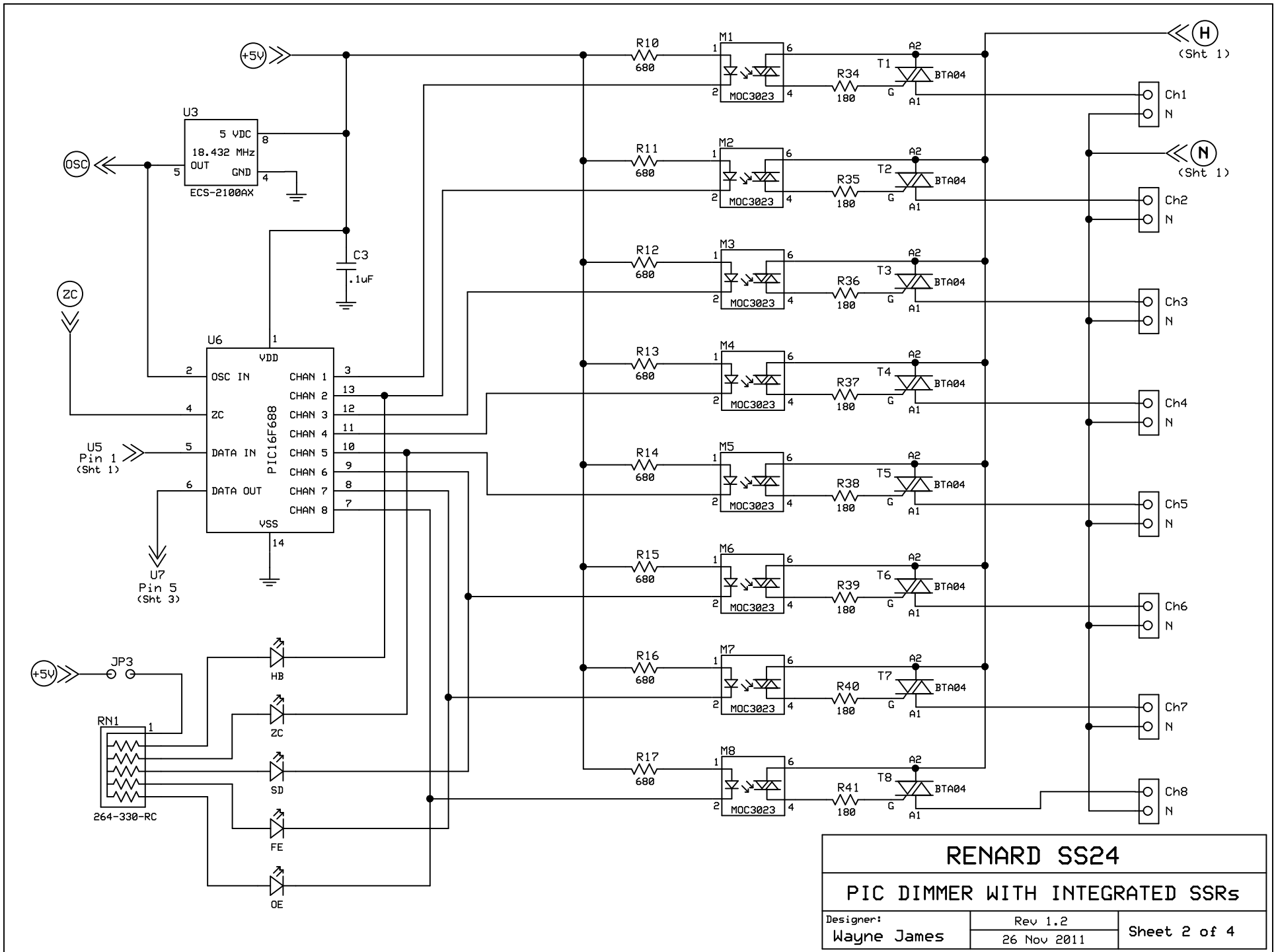
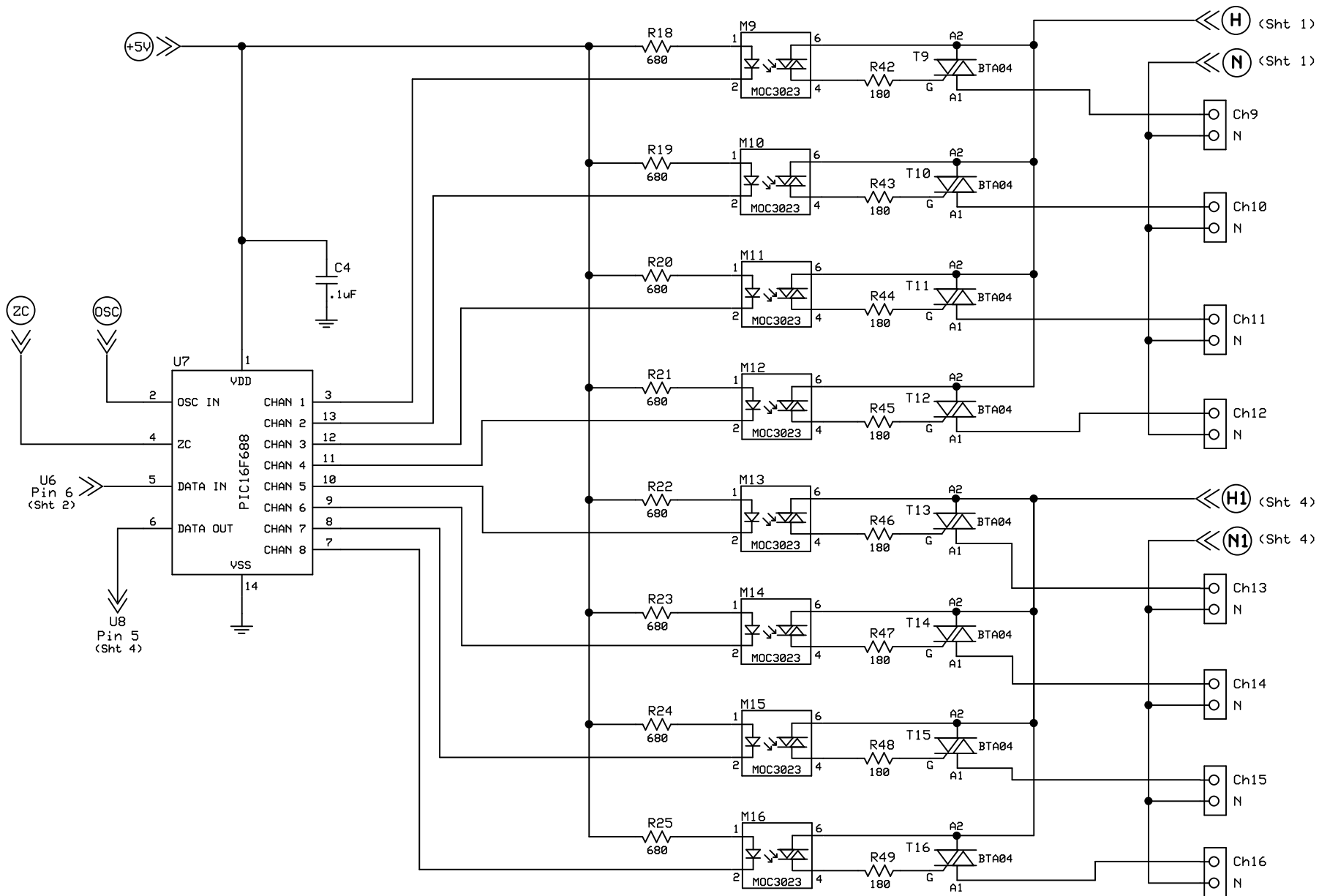


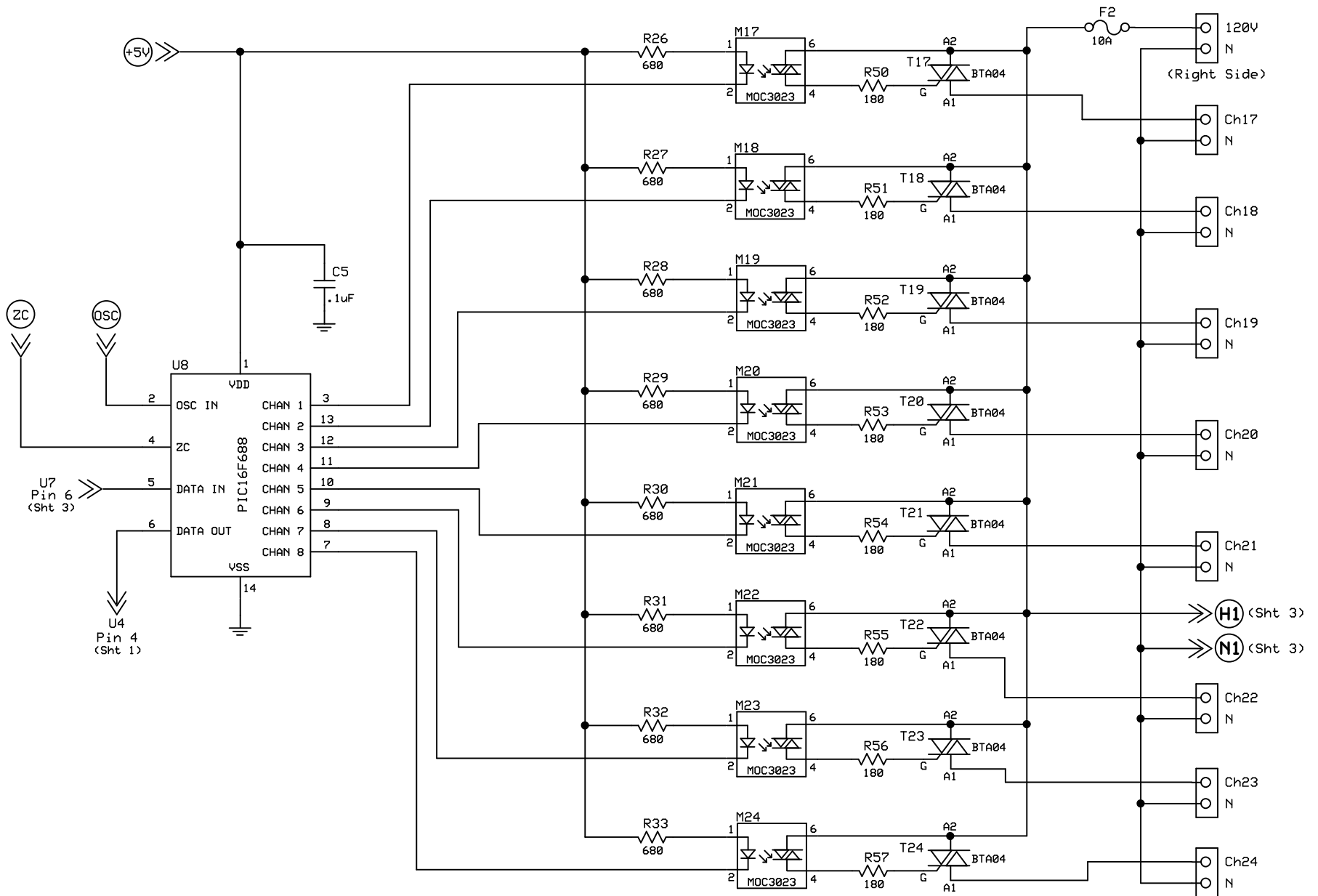
Notes:  
 RS232 Operation: J2 Connector Pin 4 = 232TXD, Pin 5 = 232Gnd  
 RS485 Operation: J2 Connector Pin 4 = 485B-, Pin 5 = 485A+

<b>RENARD SS24</b>		
<b>PIC DIMMER WITH INTEGRATED SSRs</b>		
Designer: <b>Wayne James</b>	Rev 1.2 26 Nov 2011	Sheet 1 of 4





<b>RENARD SS24</b>		
<b>PIC DIMMER WITH INTEGRATED SSRs</b>		
Designer: <b>Wayne James</b>	Rev 1.2 26 Nov 2011	Sheet 3 of 4



<b>RENARD SS24</b>		
<b>PIC DIMMER WITH INTEGRATED SSRs</b>		
Designer:	Rev 1.2	Sheet 4 of 4
Wayne James	26 Nov 2011	