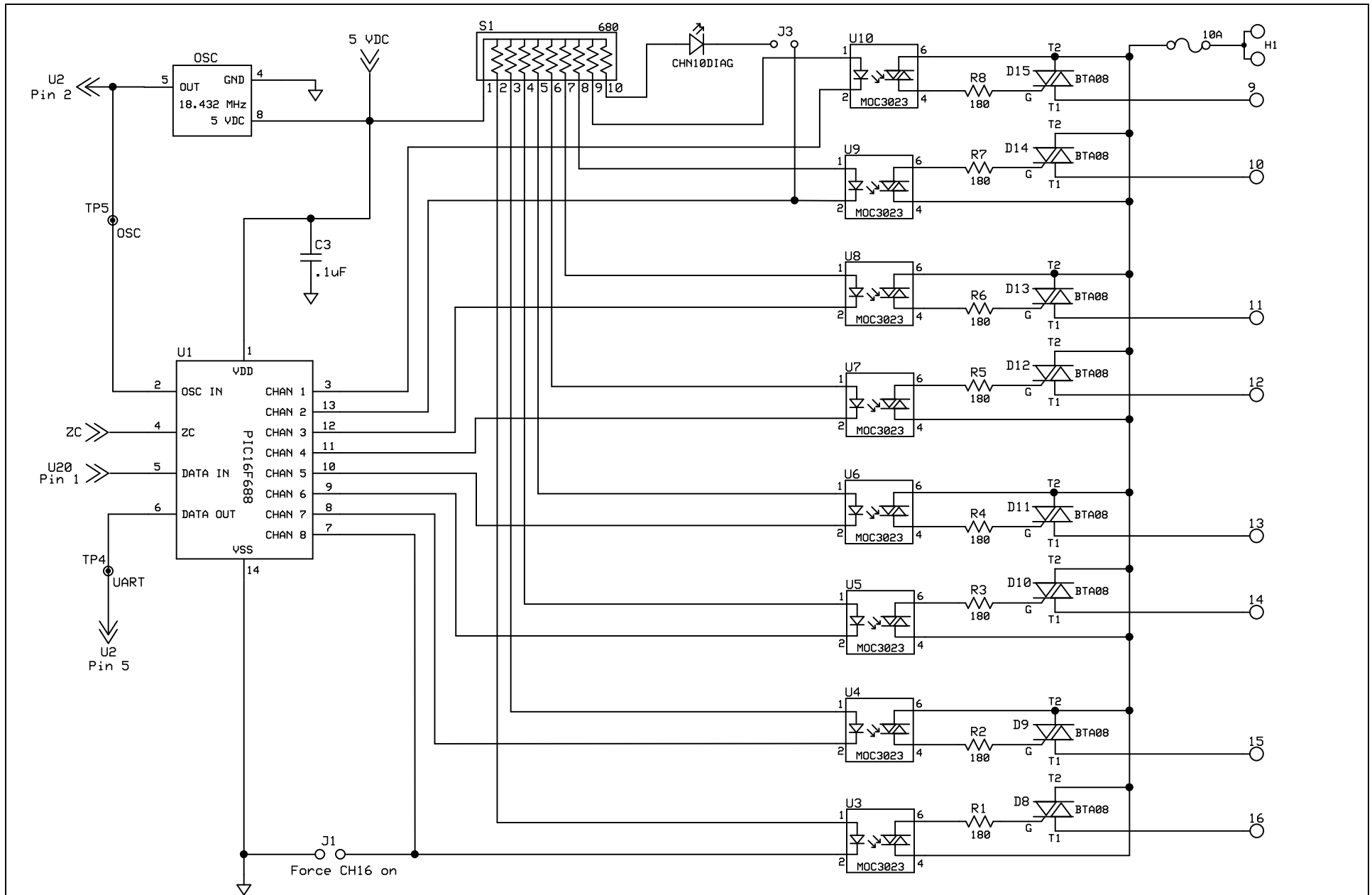


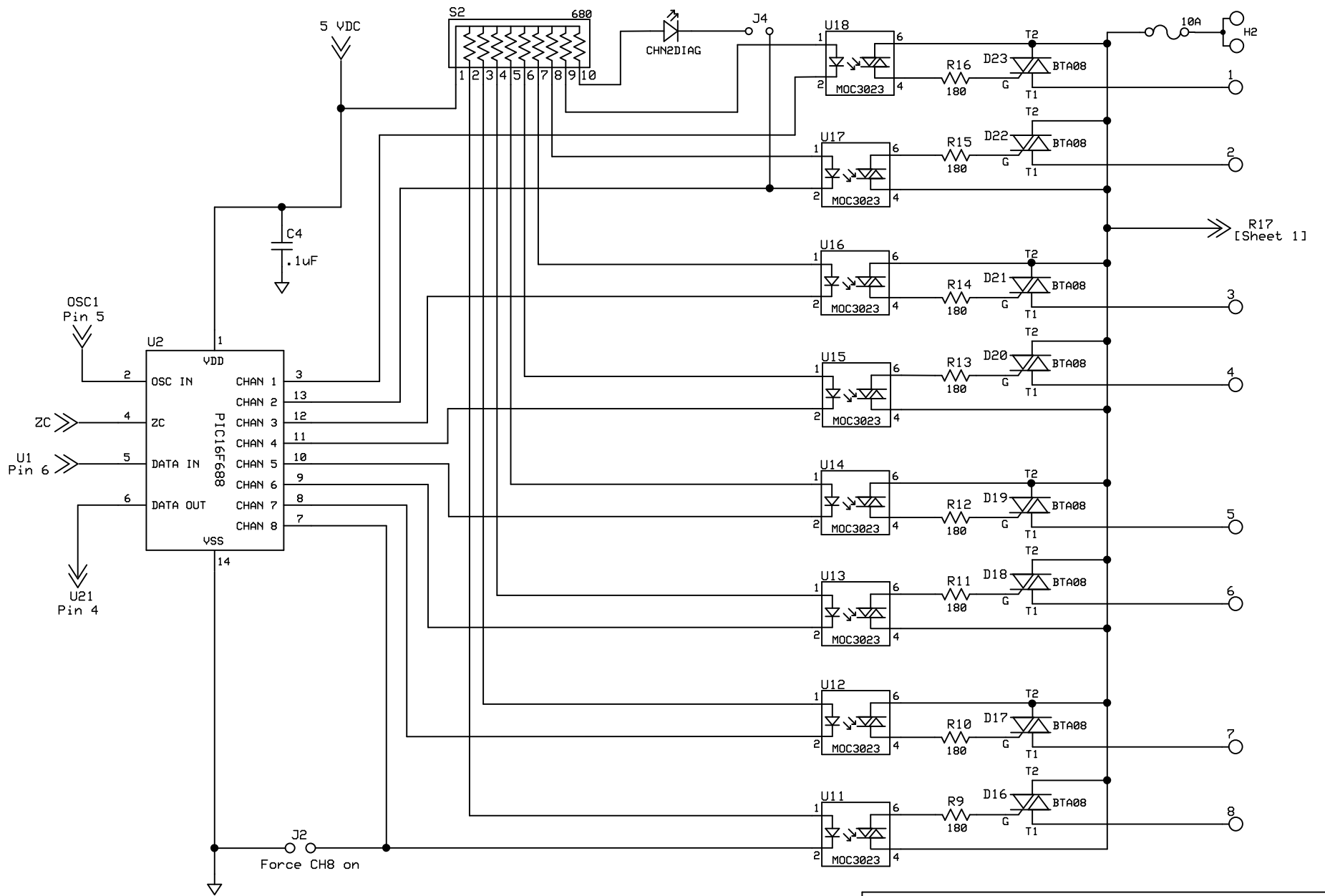
Notes:

RS232 Operation: IN Connector Pin 4 = 232TXD, Pin 5 = 232Gnd
 RS485 Operation: IN Connector Pin 4 = 485B-, Pin 5 = 485A+

RENARD 16		
PIC DIMMER WITH INTEGRATED SSRs		
Designer: XMUS	Rev 1.9.1 3 June 2008	Sheet 1 of 3



RENARD 16		
PIC DIMMER WITH INTEGRATED SSRs		
Designer: XMUS	Rev 1.9.1 3 June 2008	Sheet 2 of 3



RENARD 16

PIC DIMMER WITH INTEGRATED SSRs

Designer:
XMUS

Rev 1.9.1
3 June 2008

Sheet 3 of 3